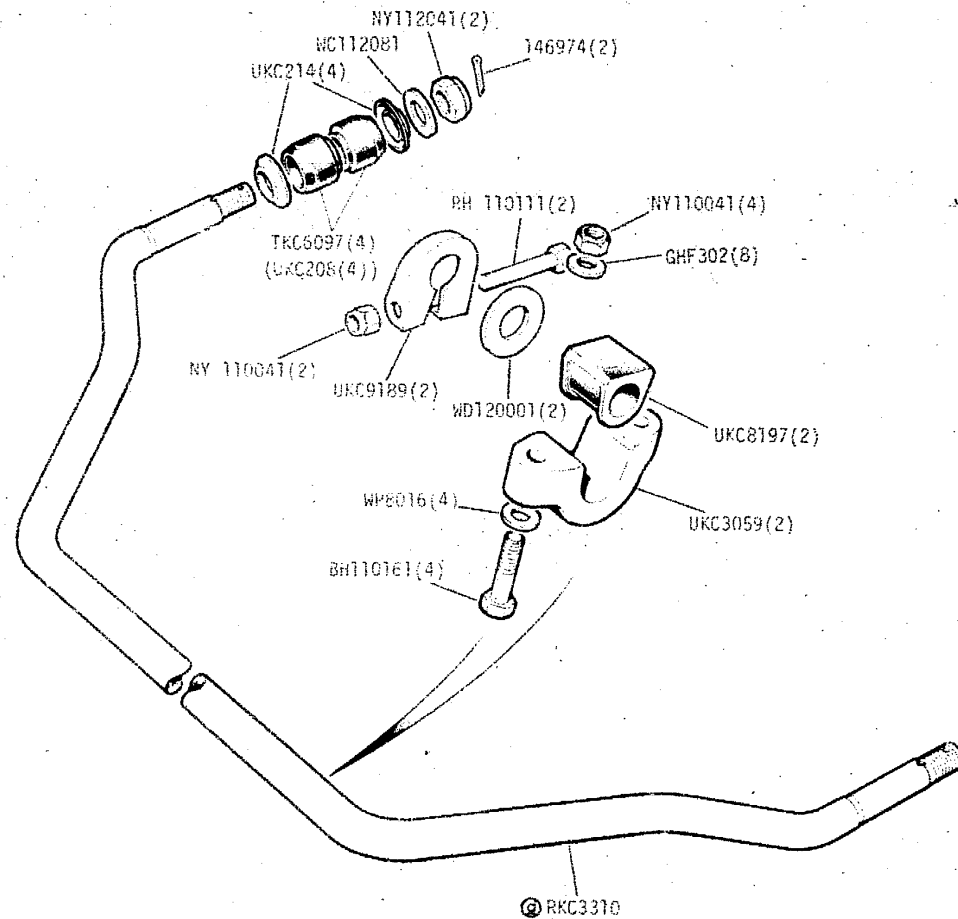


GROUP E

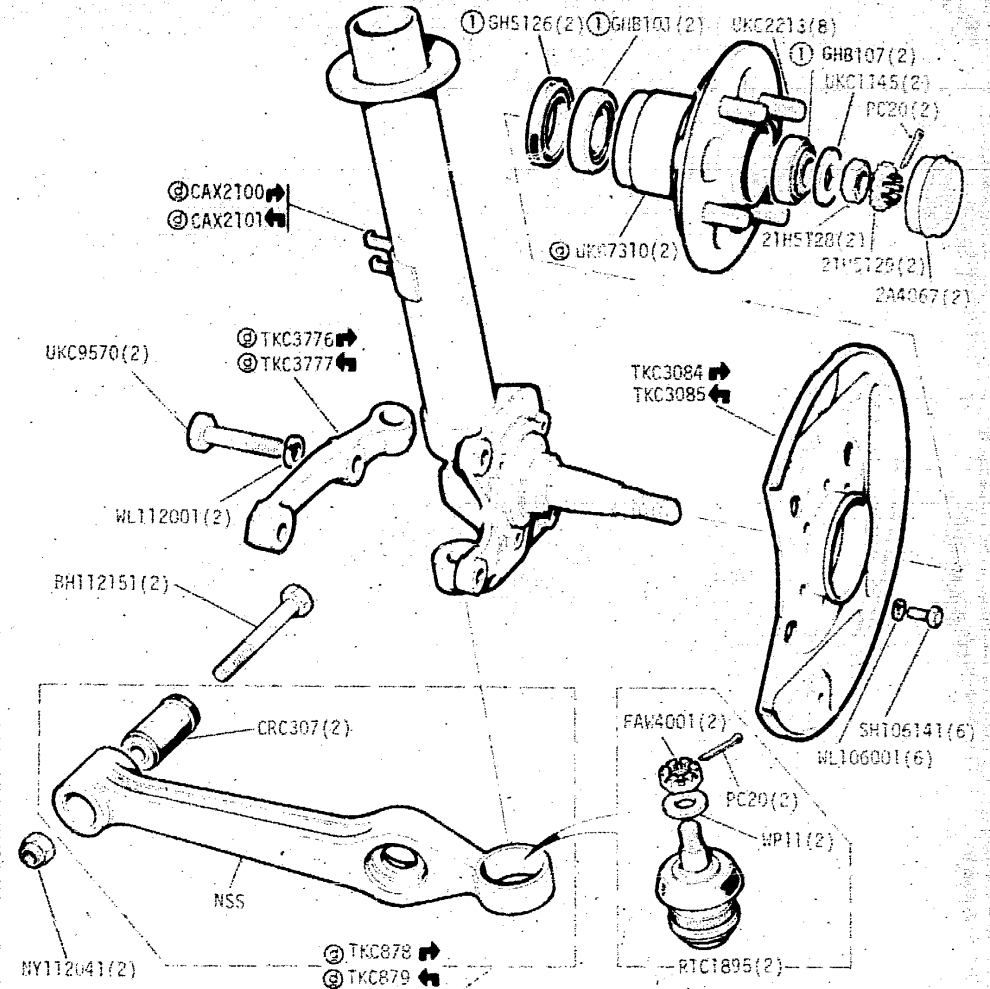
FRONT SUSPENSION - Anti Roll Bar



TR8
1F 02L
B7021

GROUP E

SUSPENSION - Stub axle, front hub, lower link, disc shield



TR8
1F 02E
B7022

1 GHK.100# Hub Bearing and Seal Kit .Zcfff

GROUP INDEX

Introduction 1B 2B
 Engine 1C
 Flywheel and Clutch 1D
 Gearbox and Propshaft 1E
 Axles, Suspension, Drive Shafts, Wheels 1F

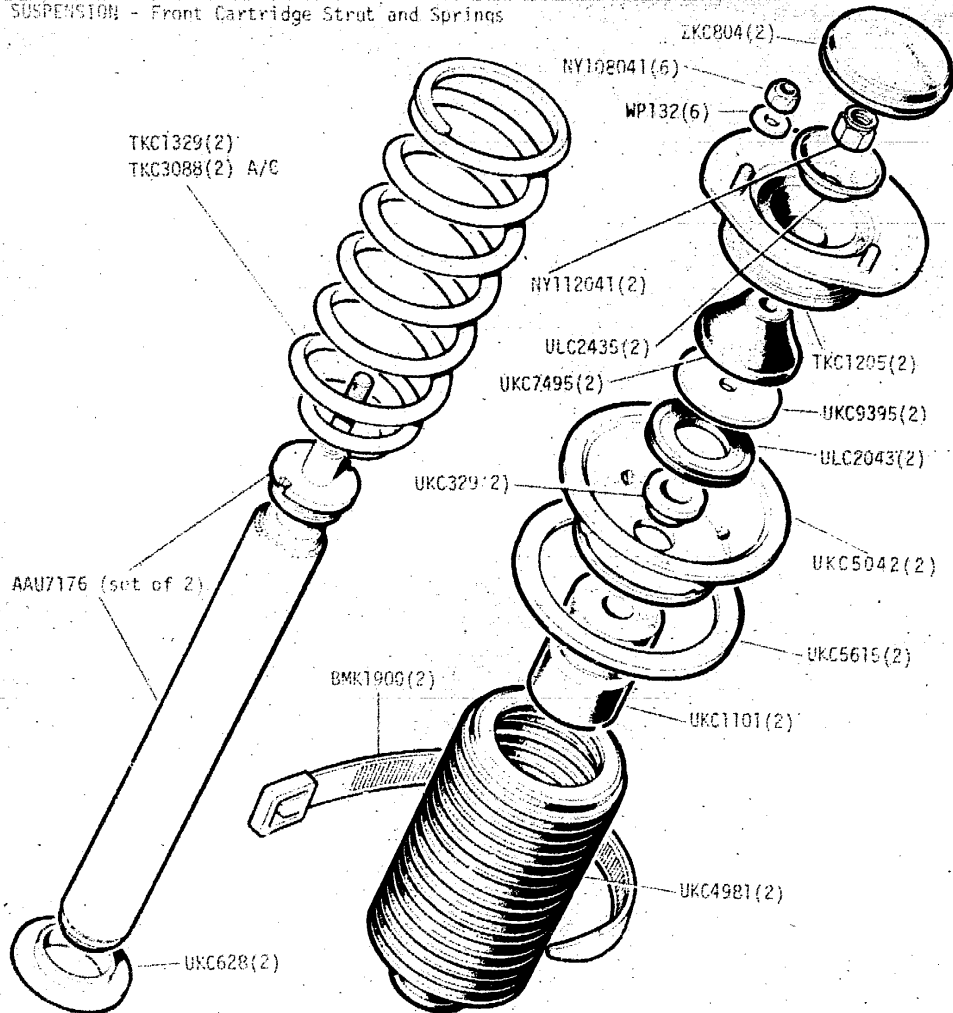
Steering
 Brakes and Brake Controls
 Fuel, Exhaust and Emission Systems
 Cooling, Heating and Air Conditioning
 Electrical, Washers-Wipers, Instruments

1G
 1H
 1J - J
 1K
 1L-M

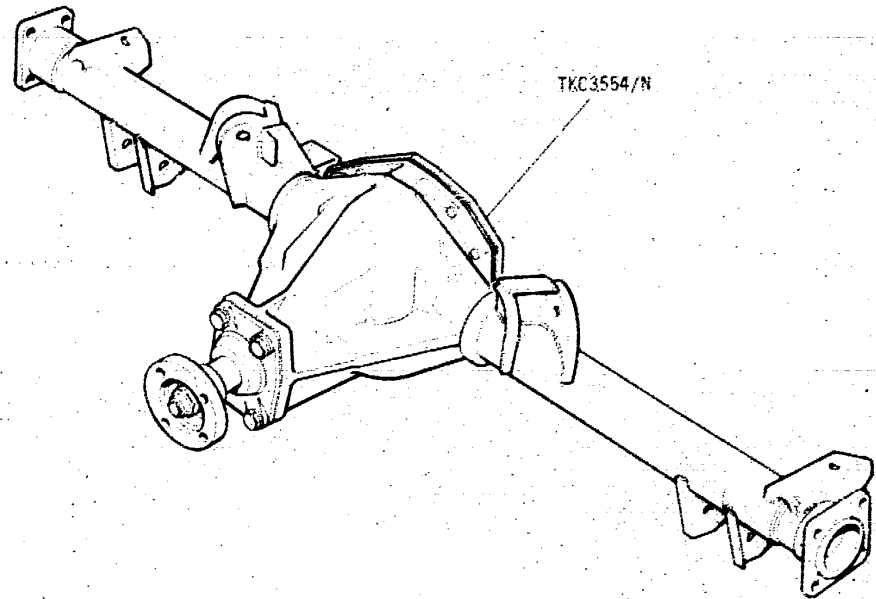
Chassis, Subframes, Bodyshell, Fittings 2C
 Fascia, Trim, Seats and Fixings 2D
 Miscellaneous 2E
 Numerical Index 2F

1F02

GROUP E
SUSPENSION - Front Cartridge Strut and Springs



GROUP E
3.9:1 RATIO REAR AXLE (Manual & Auto)



TR8 1F 03L B7023

TR8 1F 03R B7054

GROUP INDEX

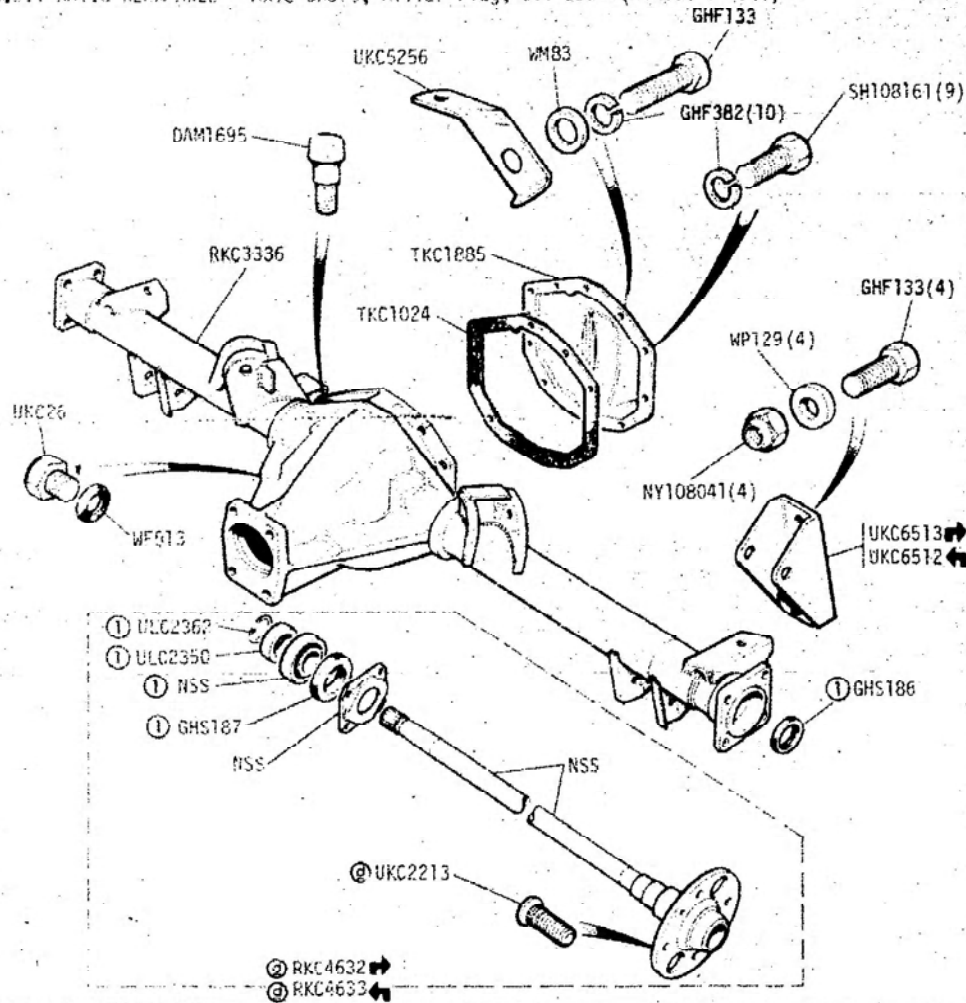
Introduction **1B 2B**
 Engine **1C**
 Flywheel and Clutch **1D**
 Gearbox and Propshaft **1E**
 Axles, Suspension, Drive Shafts, Wheels **1F**

Steering **1G**
 Brakes and Brake Controls **1H**
 Fuel, Exhaust and Emission Systems **1I - J**
 Cooling, Heating and Air Conditioning **1K**
 Electrical, Washers-Wipers, Instruments **1L - M**

Chassis, Subframes, Bodyshell, Fittings **2C**
 Fascia, Trim, Seats and Fixings **2D**
 Miscellaneous **2E**
 Numerical Index **2F**

1F03

GROUP E
3.9:1 RATIO REAR AXLE - Axle Shaft, Filler Plug, Oil Seals(Manual & Auto)



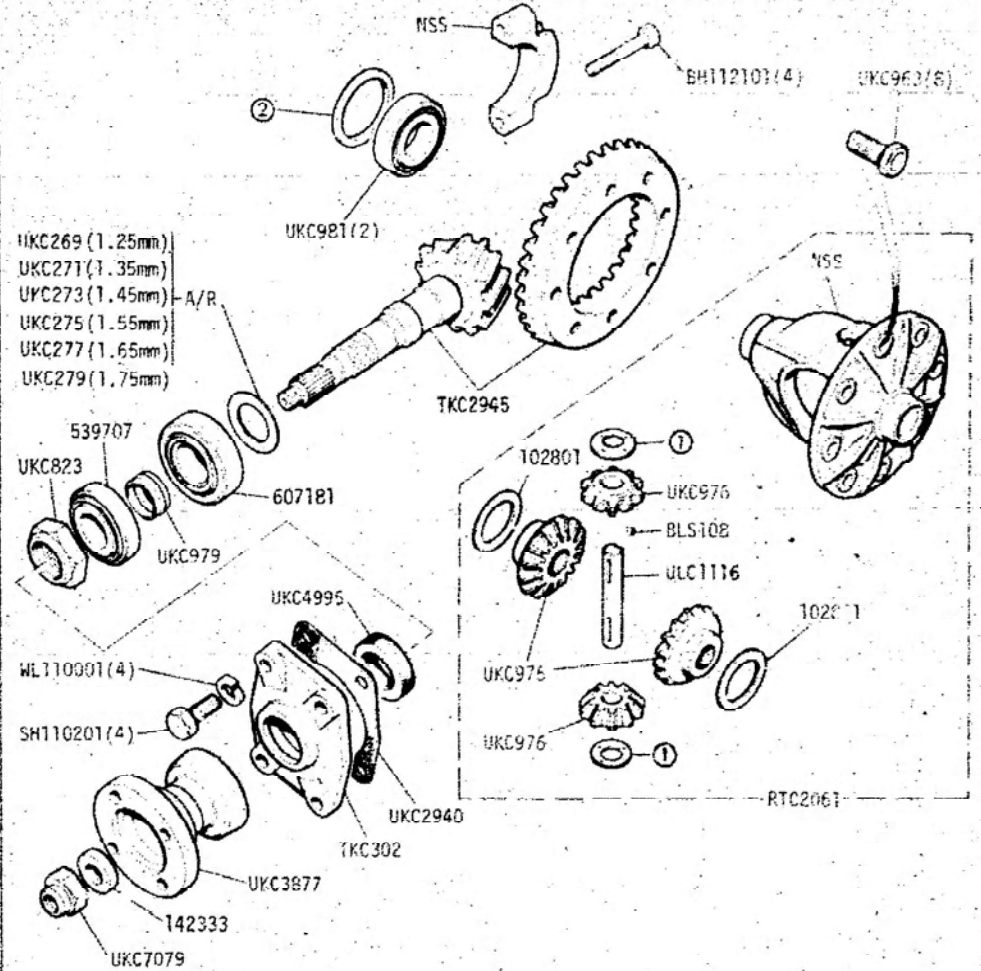
① GHK1026 Hub Bearing and Oil Seal Service Kit(2.off)

TR8

1F 04L

B7055

GROUP E
3.9:1 RATIO REAR AXLE - Crown wheel and pinion, Differential gears(Manual & Auto)



- | | |
|-----------------------|--------------------|
| ① UKC964(1.17/1.22mm) | ② UKC9435 (2.69mm) |
| UKC965(1.24/1.30mm) | UKC9437 (2.77mm) |
| UKC966(1.30/1.35mm) | UKC9439 (3.49mm) |
| UKC967(1.35/1.40mm) | UKC9441 (3.57mm) |
| UKC968(1.40/1.45mm) | UKC982 (2.89mm) |
| UKC969(1.45/1.50mm) | UKC984 (2.93mm) |
| UKC970(1.50/1.55mm) | UKC986 (3.01mm) |
| UKC971(1.55/1.60mm) | UKC988 (3.09mm) |
| UKC972(1.60/1.65mm) | UKC990 (3.17mm) |
| | UKC992 (3.25mm) |
| | UKC994 (3.33mm) |
| | UKC996 (3.41mm) |

TR8

1F 04R

B7056

GROUP INDEX

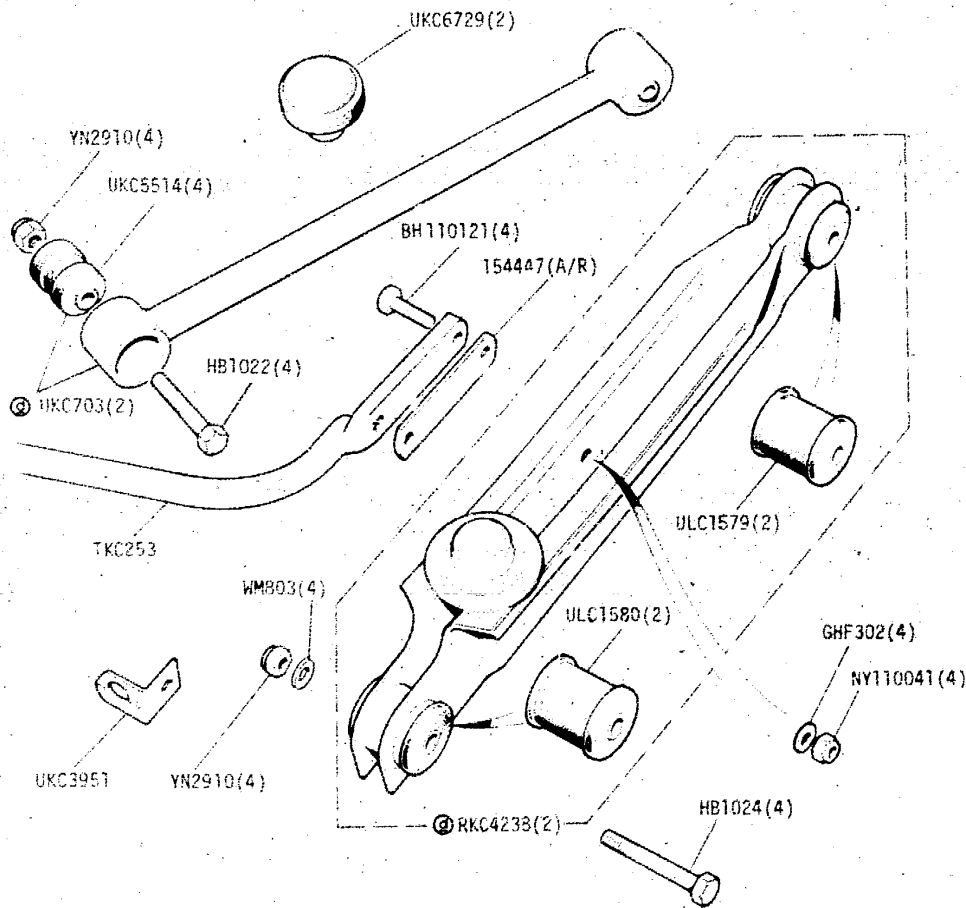
Introduction **1B 2B**
 Engine **1C**
 Flywheel and Clutch **1D**
 Gearbox and Propshaft **1E**
 Axles, Suspension, Drive Shafts, Wheels **1F**

Steering **1G**
 Brakes and Brake Controls **1H**
 Fuel, Exhaust and Emission Systems **1I - J**
 Cooling, Heating and Air Conditioning **1K**
 Electrical, Washers-Wipers, Instruments **1L-M**

Chassis, Subframes, Bodyshell, Fittings **2C**
 Fascia, Trim, Seats and Fixings **2D**
 Miscellaneous **2E**
 Numerical Index **2F**

1F04

GROUP E
SUSPENSION - Rear Suspension, Upper and Lower Links

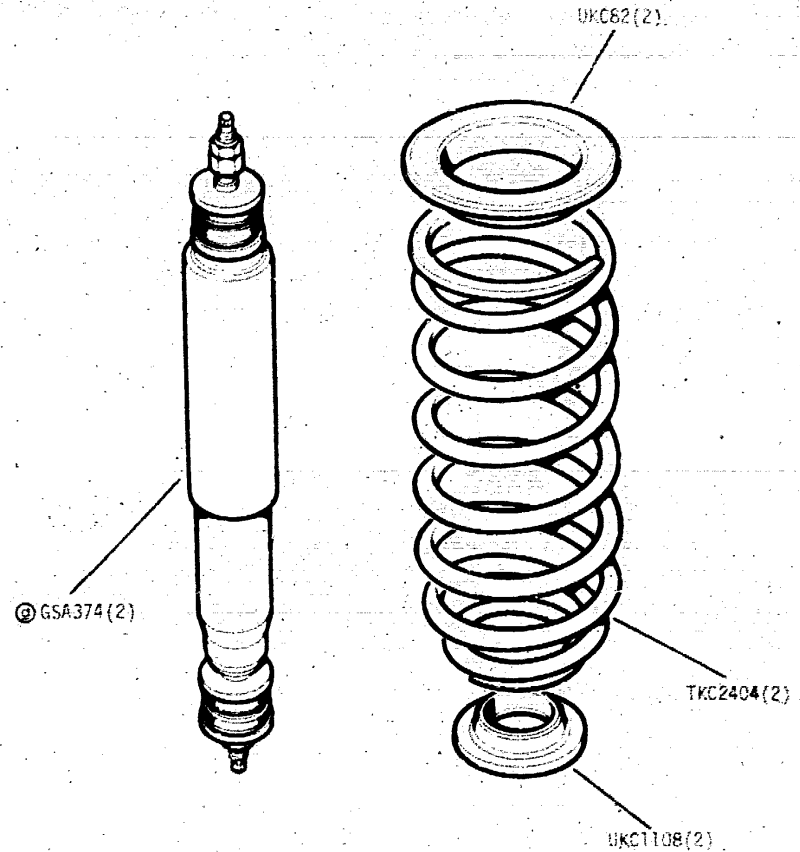


TR8

1F 05L

B7026

GROUP E
REAR SUSPENSION - Shock Absorbers and Springs



TR8

1F 05R

B7C27

GROUP INDEX

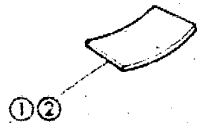
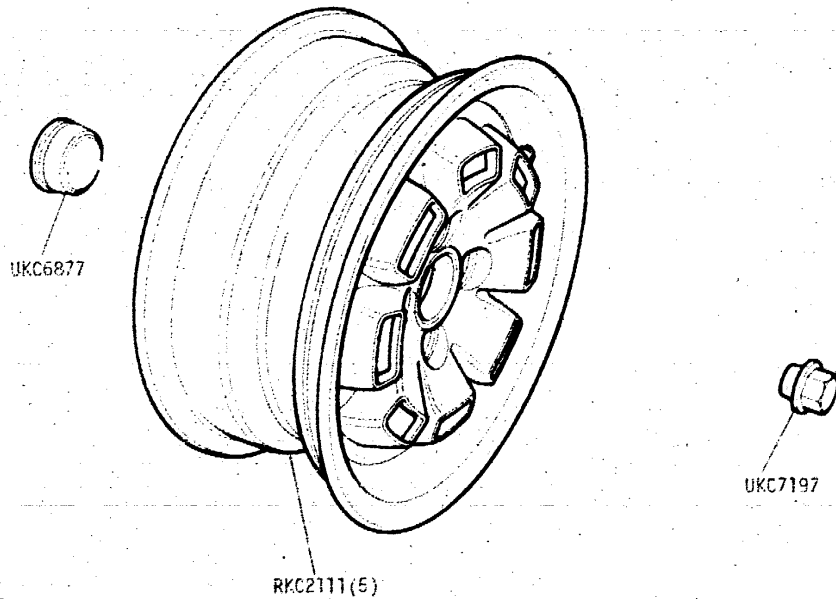
Introduction **1B 2B**
 Engine **1C**
 Flywheel and Clutch **1D**
 Gearbox and Propshaft **1E**
 Axles, Suspension, Drive Shafts, Wheels **1F**

Steering **1G**
 Brakes and Brake Controls **1H**
 Fuel, Exhaust and Emission Systems **1I - J**
 Cooling, Heating and Air Conditioning **1K**
 Electrical, Washers-Wipers, Instruments **1L - M**

Chassis, Subframes, Bodyshell, Fittings **2C**
 Fascia, Trim, Seats and Fixings **2D**
 Miscellaneous **2E**
 Numerical Index **2F**

1F05

GROUP E
SUSPENSION - Road wheels, balance weights



BLANK

Part No.	Balance weights inner		Balance weights outer	
	Weight	Quantity	Weight	Quantity
KRC1003	20gm		C41291/1	15gm
KRC1004	30gm		C41291/2	20gm
KRC1005	40gm		C41291/3	30gm
KRC1006	50gm		C41291/4	40gm
KRC1047	15gm	2	C41291/5	50gm
KRC1048	60gm		C41291/6	60gm
KRC1049	70gm		ULC2109	10gm
KRC1050	80gm			
KRC1002	10gm			

TR8 1F 06L B7018

GROUP INDEX

Introduction	1B 2B	Steering	1G
Engine	1C	Brakes and Brake Controls	1H
Flywheel and Clutch	1D	Fuel, Exhaust and Emission Systems	1I - J
Gearbox and Propshaft	1E	Cooling, Heating and Air Conditioning	1K
Axles, Suspension, Drive Shafts, Wheels	1F	Electrical, Washers-Wipers, Instruments	1L - M

Chassis, Subframes, Bodyshell, Fittings	2C
Fascia, Trim, Seats and Fixings	2D
Miscellaneous	2E
Numerical Index	2F

1F06